

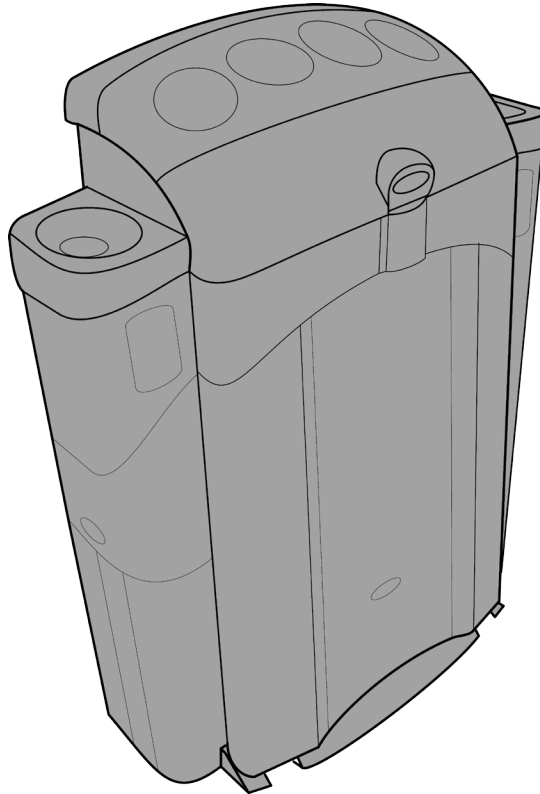


NEXUS[®] 100 CUP RECYCLING STATION

OPERATIONAL INSTRUCTIONS

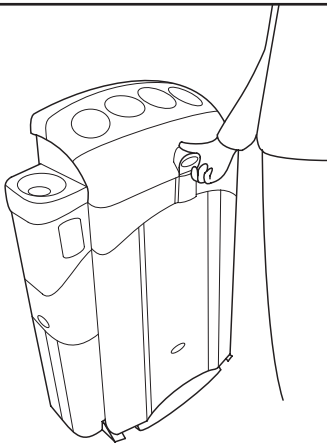
Ensure that all personnel read the points listed within this leaflet and that a copy is given to staff involved with the installation and maintenance of this product. Glasdon recommends that a full Health and Safety analysis is carried out prior to installation.

NEXUS 100 CUP RECYCLING STATION



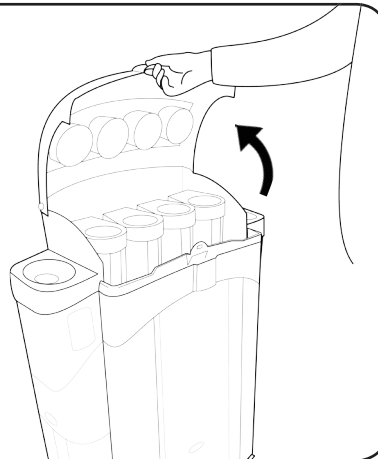
OPENING DOOR / CHECKING FILL LEVEL OF CUP STACKERS

1.



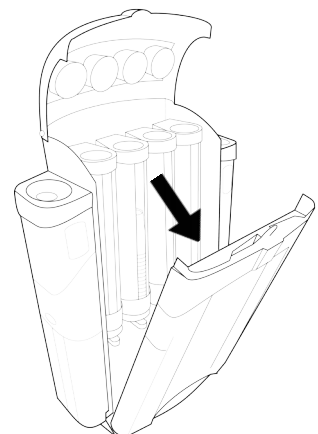
Using the finger lip at the front of the lid, lift the lid upwards.

2.



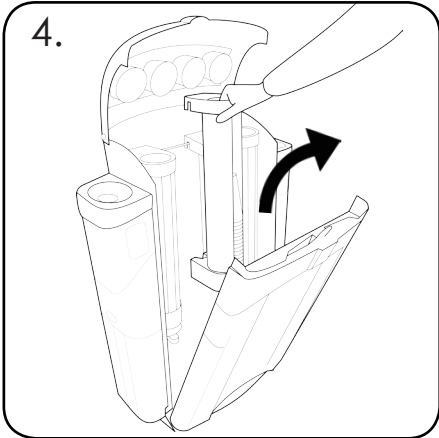
Lift the lid to the upright position until the lid is held by the stay feature.

3.

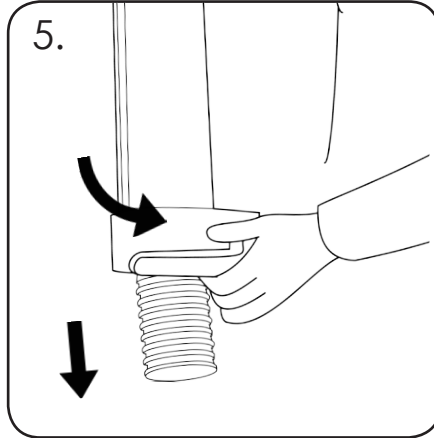


Tilt the door forward until the door is held in the open position.

REMOVING / EMPTYING THE CUP STACKERS WITH NO BAG

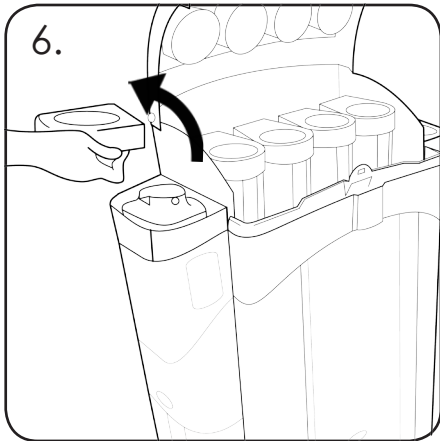


Remove each cup stacker from the bar at the rear of the bin body.

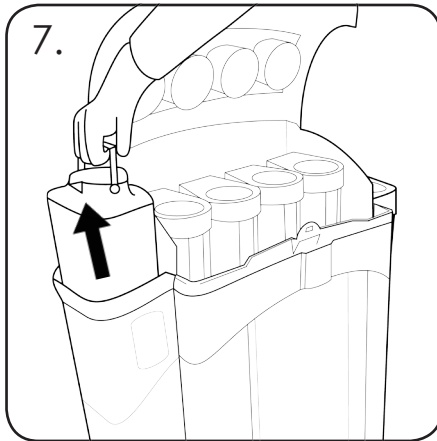


To remove the cups, move the quick release 45 degrees to the right.

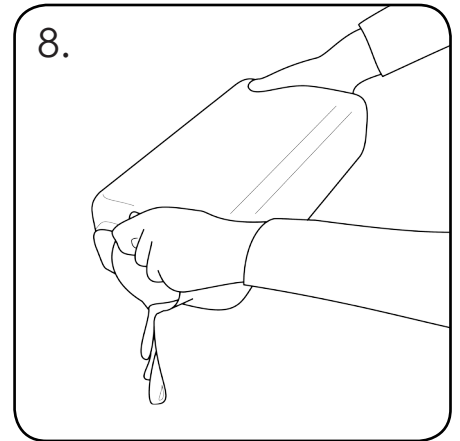
REMOVING / EMPTYING THE LIQUID RESERVOIR, WASTE LINER & DRIP TRAY



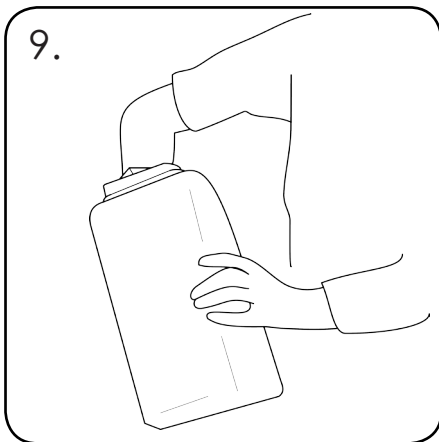
Remove the left side pod lid.



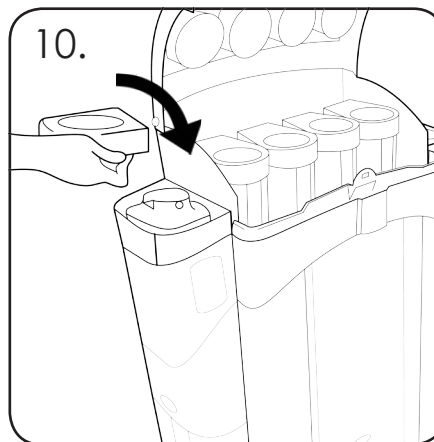
Remove the reservoir using the handle on the top, remove from the side pod to empty.



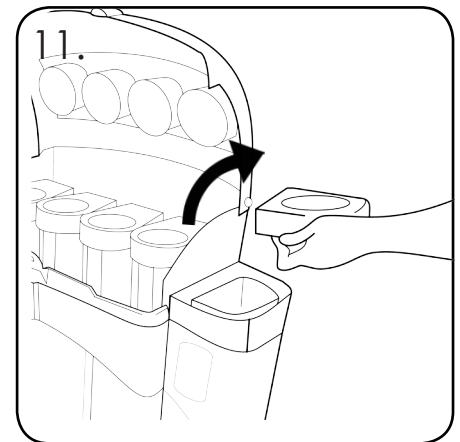
Use the spout to ensure the reservoir is emptied easily and neatly.



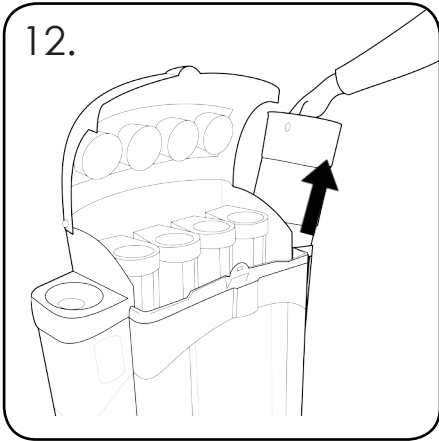
The reservoir has a large opening and is easily cleaned with warm soapy water.



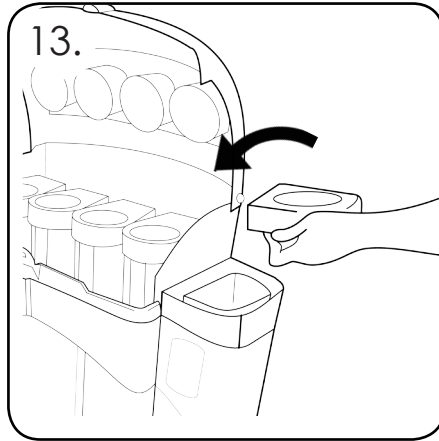
Return the reservoir and lid to complete the emptying procedure.



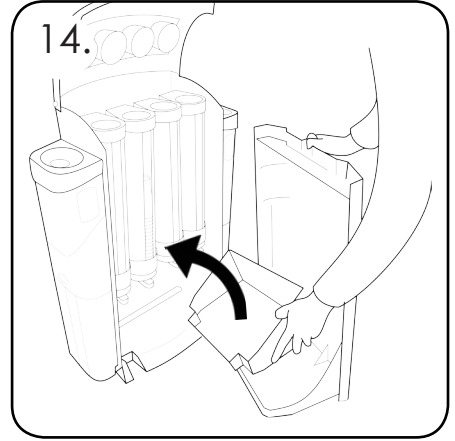
Remove the right side pod lid.



12. Remove the 8ltr liner for emptying and cleaning.

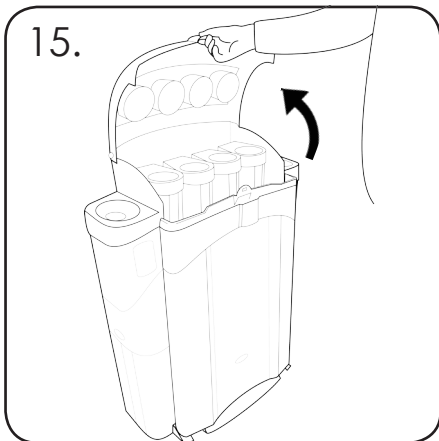


13. Return the liner and lid to complete the emptying procedure.

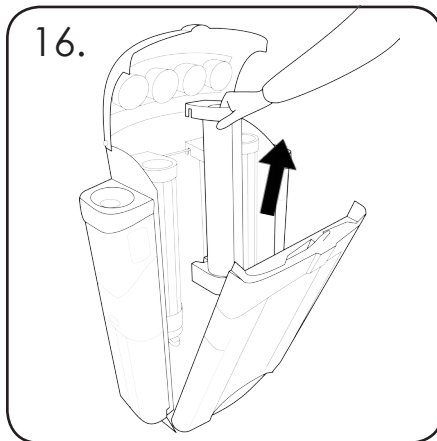


14. The door comes complete with a drip tray to collect any spills and is removable for ease of cleaning.

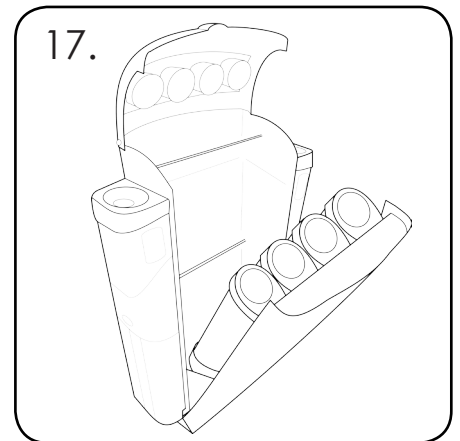
INSERTING A SACK WITHIN THE BIN BODY



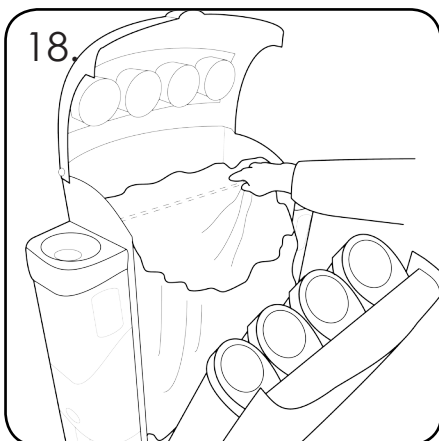
15. Lift the lid to the upright position until the lid is held by the stay feature.



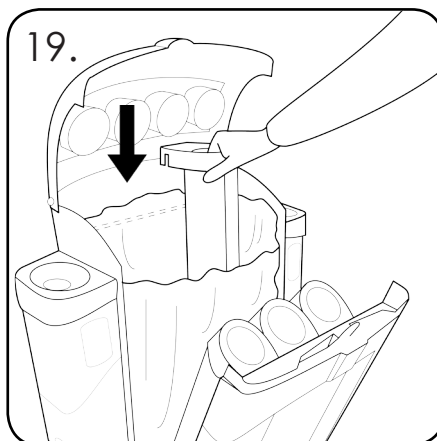
16. Tilt the door open. Remove each cup stacker from the steel bar at the rear of the bin.



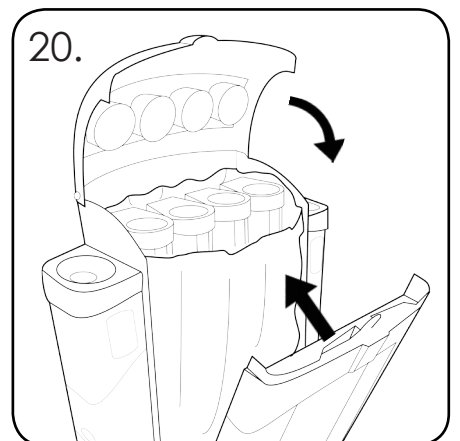
17. Rest each cup stacker against the rear side of the door within the drip tray.



18. Place the sack inside of the bin resting one half of the sack on the steel bar.

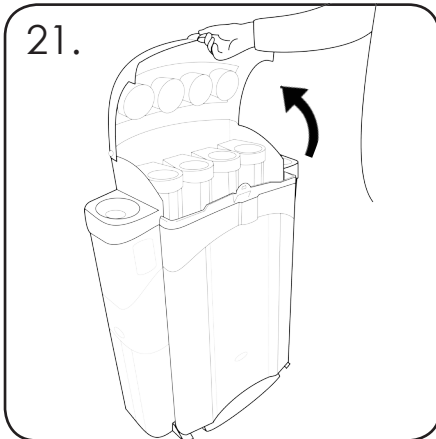


19. Place each cup stacker within the sack resting them on the steel bar.

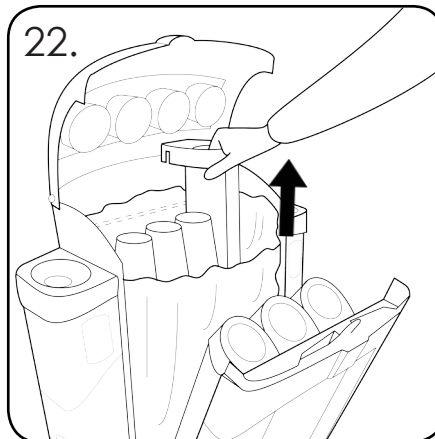


20. Ensure the sack is held within the bin body, close the door and lid to secure the sack in place.

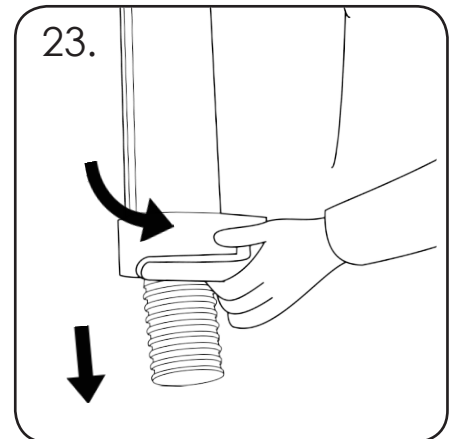
EMPTYING CUPS WITH A SACK IN THE BIN BODY



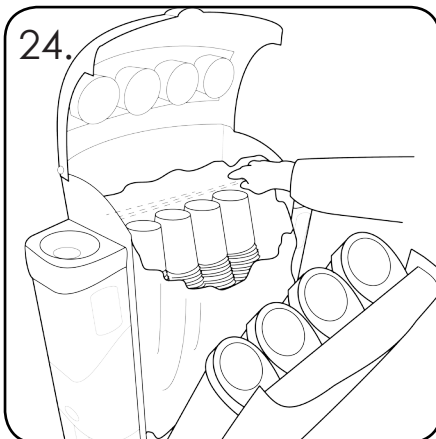
Lift the lid to the upright position until the lid is held by the stay feature.



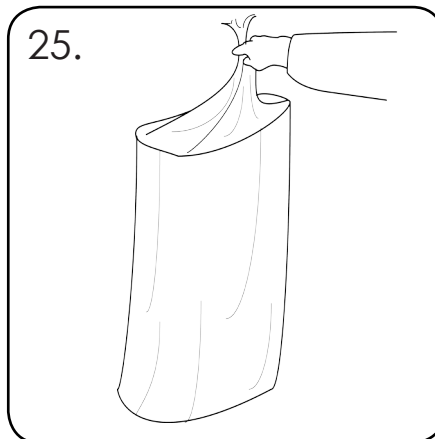
Lift the cup stacker from the steel bar.



To remove the cups, move the quick release 45 degrees to the right. Rest the empty cup stacker inside the drip tray.



Repeat steps 22-23 for all 4 cup stackers.



Remove the bagged stacks of cups for recycling. Refer to steps 15-20 to place a new sack in the bin

 **Glasdon** NEXUS ARE TRADEMARKS OR REGISTERED TRADEMARKS OF GLASDON GROUP OR ITS SUBSIDIARIES IN THE U.K. AND OTHER COUNTRIES

- A planned maintenance schedule or regular inspection is recommended, replacing components as necessary.
- Replacement components are available direct from GLASDON.
- GLASDON cannot be held responsible for claims arising from incorrect installation, unauthorised modifications or misuse of the product.

Issue 1 - November 2017 - Stock No. C000/0509 - DWG No. 07B-371-21

© Copyright November 2017

Glasdon UK Ltd reserve the right to alter specifications without prior notice.

 **Glasdon®**

Glasdon U.K. Limited

Preston New Road
BLACKPOOL
Lancashire
FY4 4UL

Tel: (01253) 600410
Fax: (01253) 792558
e-mail: sales@glasdon-uk.co.uk
web: www.glasdon.com